

RPYS - ZPYS



Slim Relays and Socket Series



Benefits

- **Space saving.** RPYS is only 12.6 mm wide (1 CO models) and 13 mm wide (2 CO models).
- **Time savings.** ZPYS socket version is available with push-in terminals saving wiring time.
- **Wide product range.** Coil voltage range from 12 VDC up to 230 VAC. RPYS is available in SPDT (1-Changeover contact) and DPDT (2-changeover contacts) versions.
- **Visual indication of coil types.** The test button has a different colour for the AC-coil and DC-coil types. User can easily identify the coil type of the relay being used.
- **Better adaptation to wiring systems.** RPYS integrates a bidirectional LED with polarity protection (applicable to DC coil versions).

Description

RPYS is an electromechanical relay that can switch resistive loads up to 10 A (for 1 changeover contact version) and 5 A (for the 2 changeover contact version). RPYS comes in two models:

- Basic version: No LEDs and no test button
- LED and test button version

ZPYS is the corresponding socket for RPYS relays. It is available in both screw and spring (push-in) terminals.

Additional accessories such as ID tag, plastic clamp, protection diode and bus jumper are also available

Applications

The RPYS relays and ZPYS sockets can be used for a wide range of industrial applications. The markets of interest are Building automation, Food and Beverage, HVAC machinery, Packaging machinery.

Main functions

- Switching of resistive loads, AC / DC electromagnetic loads
- Test button version to check correct relay operation (RPYS..LT versions)
- LED indication for relay on (RPYS..LT versions)

RPYS - ZPYS



References

Order code

RPYS

Enter the code entering the corresponding option instead of

Code	Option	Description	Notes
R	-		
P	-	Relay family	
Y	-		
S	-	Slim	Series
<input type="checkbox"/>	001	1 changeover contact (SPDT)	Contact form
	002	2 changeover contacts (DPDT)	
<input type="checkbox"/>	12	12 V	Rated coil voltage
	24	24 V	
	115	115 V	
	230	230 V	
<input type="checkbox"/>	D	DC	Coil voltage type
	A	AC	
<input type="checkbox"/>	-	Basic	No options
	LT	LED + Test Button	

ZPYS

Enter the code entering the corresponding option instead of

Code	Option	Description	Notes
Z	-		
P	-	Socket family	
Y	-		
S	-	Slim	Series
<input type="checkbox"/>	1	1 changeover output	For RPYS001 models
	2	2 changeover outputs	For RPYS002 models
<input type="checkbox"/>	S	Screw terminals	Terminal type
	G	Push-in terminals	

▶ Selection guide

Relay Coil Voltage	Basic Version		LED and Test Button	
	1 Changeover Contact	2 Changeover Contacts	1 Changeover Contact	2 Changeover Contacts
12 VDC	RPYS001012D	RPYS002012D	RPYS001012DLT	RPYS002012DLT
24 VDC	RPYS001024D	RPYS002024D	RPYS001024DLT	RPYS002024DLT
24 VAC	RPYS001024A	RPYS002024A	RPYS001024ALT	RPYS002024ALT
115 VAC	RPYS001115A	RPYS002115A	RPYS001115ALT	RPYS002115ALT
230 VAC	RPYS001230A	RPYS002230A	RPYS001230ALT	RPYS002230ALT

Socket Code	Screw Terminals		Push-in Terminals	
	1 Output	2 Outputs	1 Output	2 Outputs
	ZPYS1S	ZPYS2S	ZPYS1G	ZPYS2G

▶ Carlo Gavazzi compatible components

Purpose	Component order code
Plastic clamp for ZPYS screw and push in socket	ZPYSPC
ID tag for ZPYS screw and push in socket	ZPYSID
Bus jumper for push in socket	ZGBJ
Module with protection diode	MODULE42

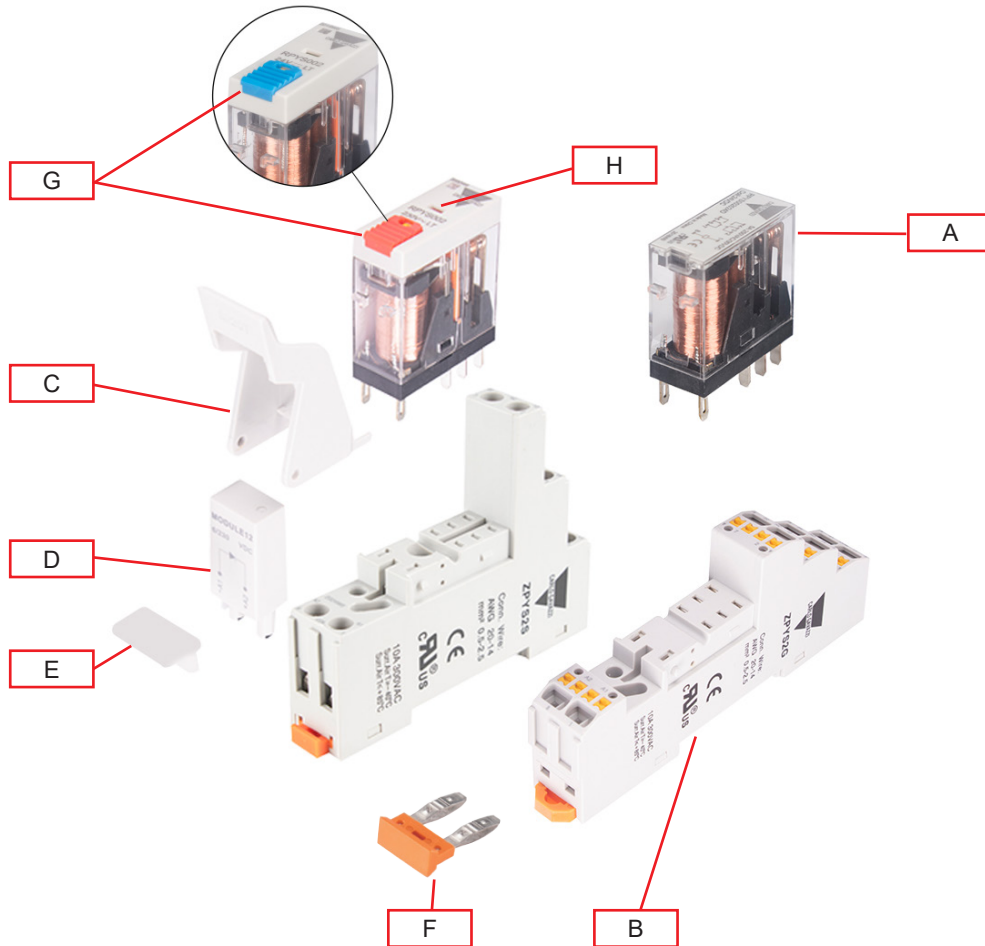
▶ Further reading

Information	Where to find it	QR
RPYS / ZPYS CAD drawings		

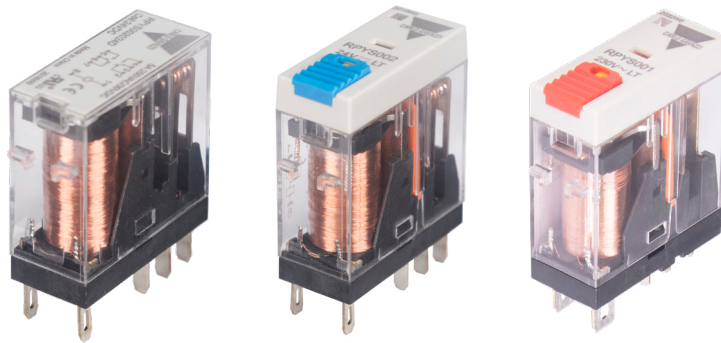
RPYS - ZPYS



Structure



Element	Component	Function
A	Relay	RPYS slim relay
B	Socket	ZPYS slim socket
C	Hold down spring	Plastic retaining clip
D	Protection module	Optional function module with diode and LED
E	ID tag	ID tag for ZPYS socket
F	Bus jumper	Bus jumper for push in socket
G	Test button	DC coil versions : Blue test button AC coil versions : Red test button
H	LED	LED indication when relay is ON (for RPYS..LT versions)



Features

Coil data

	RPYS..12D	RPYS..24D	RPYS..24A	RPYS..115A	RPYS..230A
Coil voltage	12 VDC	24 VDC	24 VAC	115 VAC	230 VAC
Coil resistance (Ω) ($\pm 10\%$ for coil voltage < 110 V) ($\pm 15\%$ for coil voltage > 110 V)	270	1100	240	6300	23000
Pick-up voltage (23 °C)	$\leq 75\%$ rated voltage,		$\leq 80\%$ rated voltage		
Drop-out voltage (23 °C)	$\geq 10\%$ rated voltage,		$\geq 30\%$ rated voltage		
Maximum voltage (23 °C)	110 % rated voltage				
Coil operating power	0.53 W		1 VA		

Contacts data

	RPYS001	RPYS002
Rated current AC-15 / DC 13	10 A @ 250 VAC, 30 VDC	5 A @ 250 VAC, 30 VDC
Minimum load current	10 mA / 12 VDC	
Switching capacity (resistive)	2500 VA, 300 W; 4000 VA, 480 W	1250 VA 150 W; 2000 VA, 240 W
Initial contact resistance	$\leq 50\text{ m}\Omega$	
Material	Ag alloy	
Electrical durability	$\geq 100,000$ cycles (1800 Ops / h)	
Mechanical durability	$\geq 10,000,000$ cycles (18000 Ops / h)	
Insulation resistance	$\geq 1000\text{ M}\Omega$ (500 VDC)	
Operate time	$\leq 20\text{ ms}$ (at nominal voltage)	
Release time	$\leq 10\text{ ms}$ (at nominal voltage)	
Initial breakdown voltage Between open contacts Between poles Between contacts and coil	1000 VAC / min 3000 VAC / min 5000 VAC / min	

Environmental specifications

Ambient temperature	-40 ~ 55 °C (-40 ~ 131 °F)
Storage temperature	-55 ~ 85 °C (-67 ~ 185 °F)
Humidity	5 % ~ 85 % RH
Shock resistance	10 g
Vibration resistance	10 ~ 55 Hz
Weight	20 g

Compatibility and conformity

CE (RoHS, LVD)	IEC 61810
UL certification	UL508a (cURus)

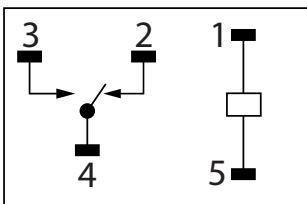
Installation

Mounting	Plug-in into socket
----------	---------------------

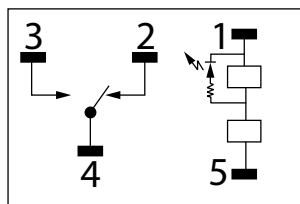
Connection diagram

Contacts layout

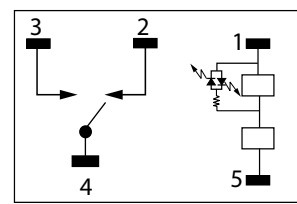
RPYS001...D/A



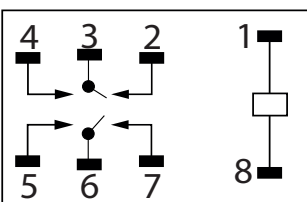
RPYS001...ALT



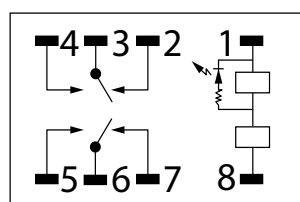
RPYS001...DLT



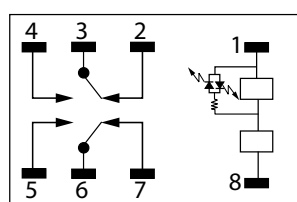
RPYS002...D/A



RPYS002...ALT

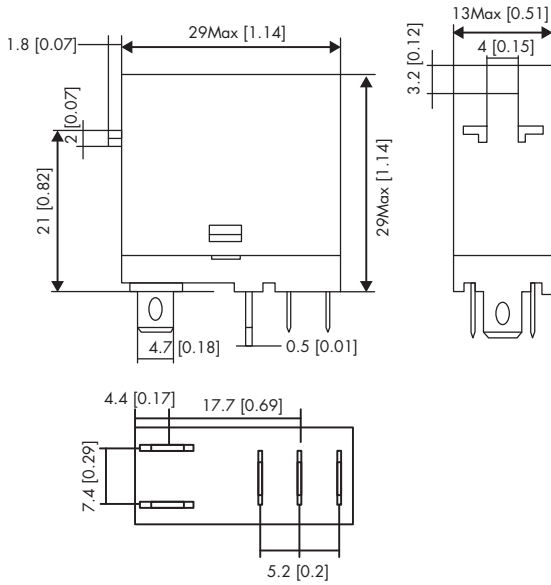


RPYS002...DLT

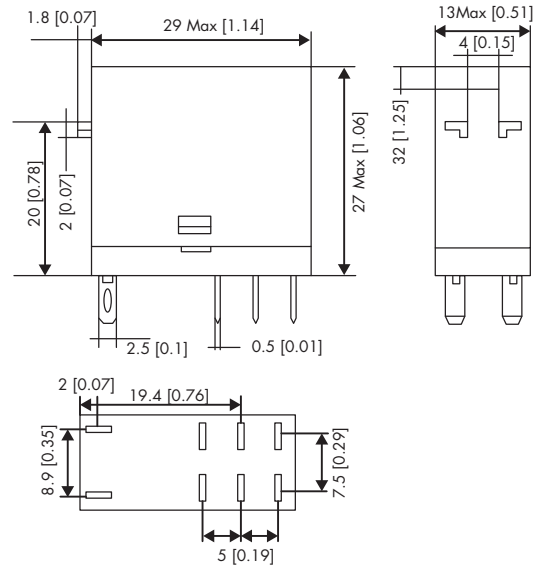


Dimensions

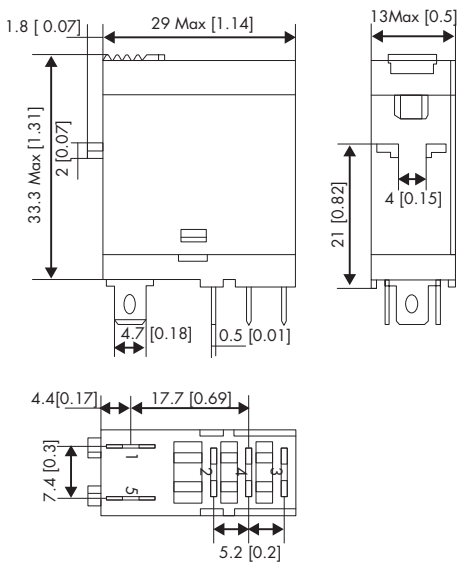
RPYS001...D/A
Unit: mm [inches]



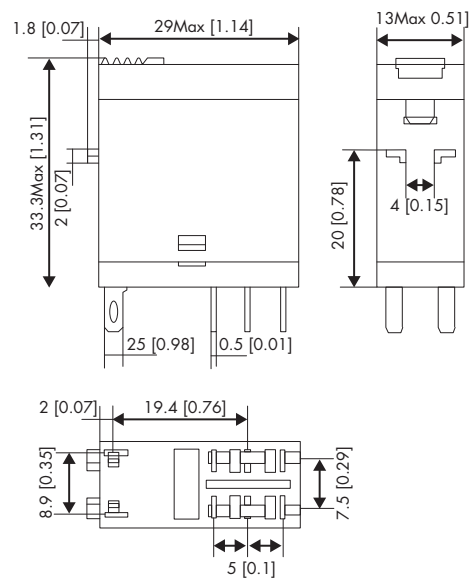
RPYS002...D/A
Unit: mm [inches]



RPYS001...DLT/ALT
Unit: mm [inches]



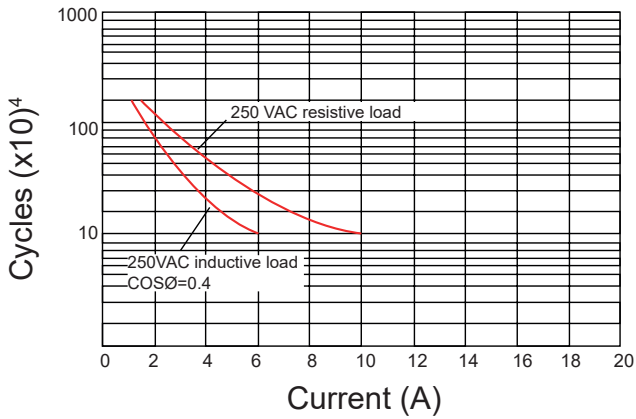
RPYS002...DLT/ALT
Unit: mm [inches]



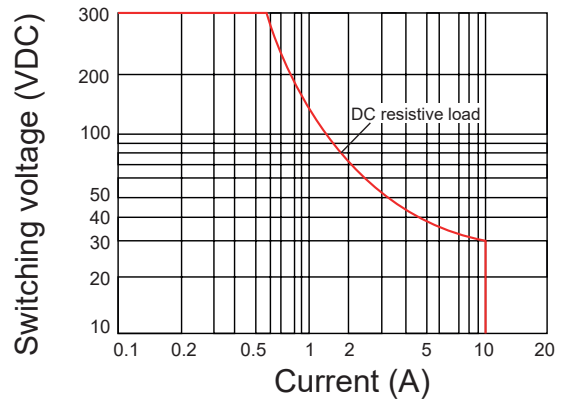
Performance curves

RPYS001

Electrical durability curve

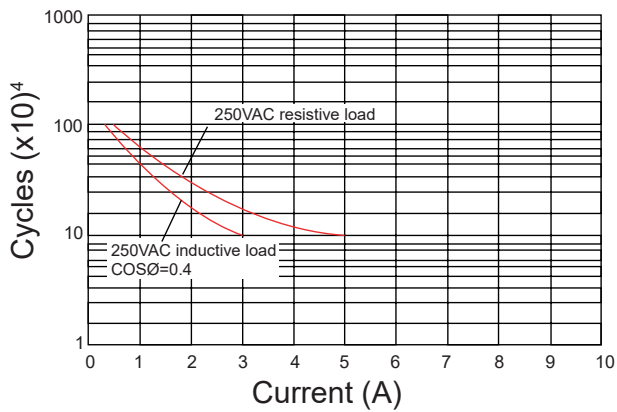


Maximum switching capacity

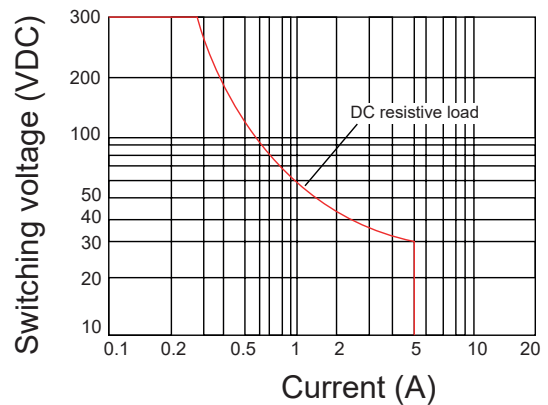


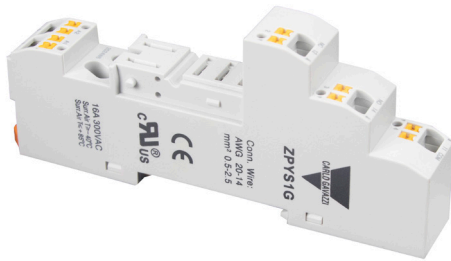
RPYS002

Electrical durability curve



Maximum switching capacity





Features

Contact data

Socket code	ZPYS1.	ZPYS2.
Rated load current	16 A	10 A
Rated load voltage	300 V	
Dielectric strength Between coil and contact Between contacts	4000 V / min 2500 V / min	
Insulation resistance	100 M Ω	

Environmental specifications

	ZPYS1.	ZPYS2.
Ambient temperature	-40 ~ 85 °C (-40 ~ 185 °F)	
Storage temperature		
Vibration resistance	10 - 55 Hz, Amplitude 1 mm	
Protection degree	IP 20	
Pollution degree	2	
Weight	35 g	43 g

Compatibility and conformity

	ZPYS1.	ZPYS2.
CE (RoHS, LVD)	IEC 61984	
UL certification	UL508a (cURus)	

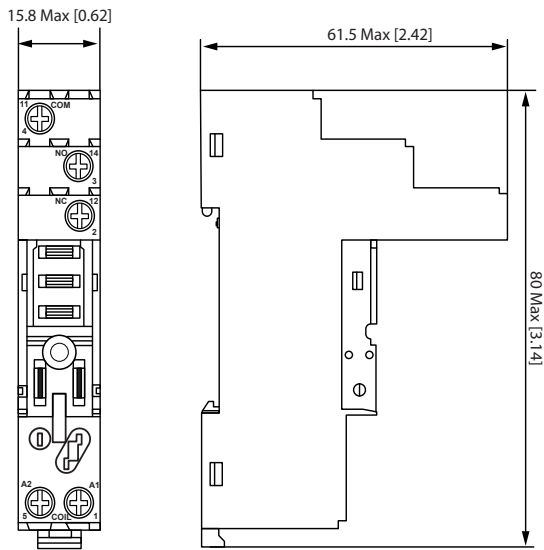
Connection specification

	ZPYS.S	ZPYS.G
Terminal type		
Applicable terminal		
Tightening torque	0.8 Nm	-
Press strength for push-in terminal	-	≤ 75 N (suggested 40 N)
Conductor cross section	0.5 - 2.5 mm ² (20 - 14 AWG)	

Dimensions

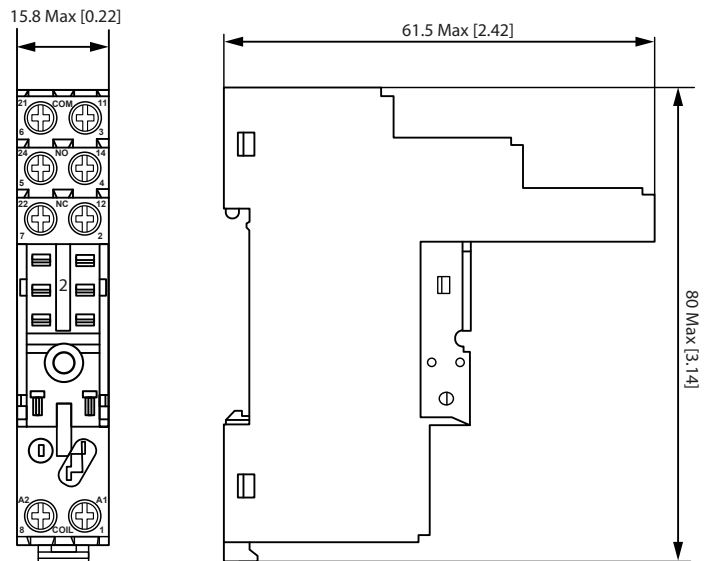
ZPYS1S

Units: mm [inches]



ZPYS2S

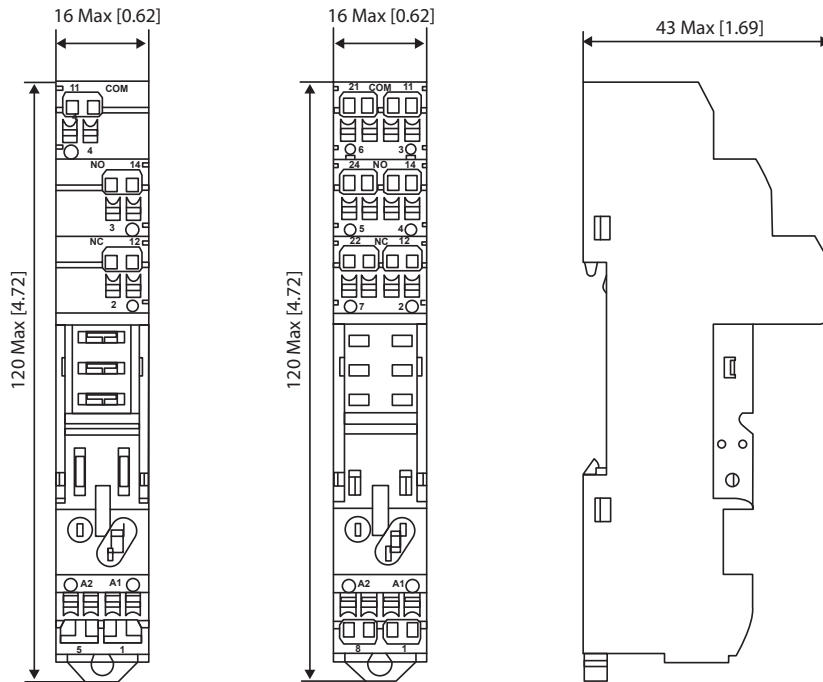
Units: mm [inches]



ZPYS

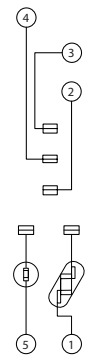


ZPYS1G, ZPYS2G
Units: mm [inches]



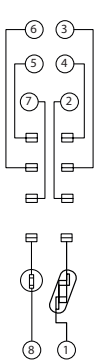
Contacts layout

ZPYS1.




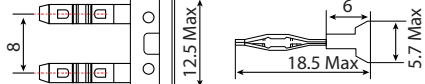
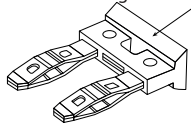

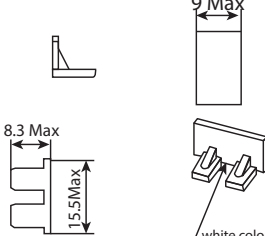
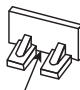

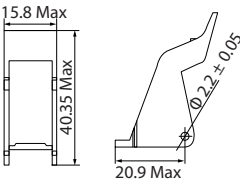
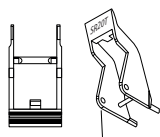

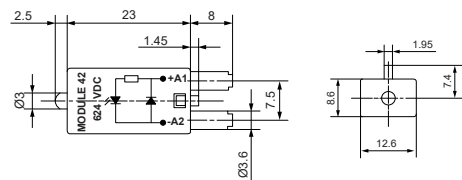
Terminal Marking		Function
1	A1	Coil voltage
2	12	Normally closed (NC)
3	14	Normally open (NO)
4	11	Common
5	A2	Coil voltage

ZPYS2.



Terminal Marking		Function
1	A1	Coil voltage
2	12	Normally closed (NC)
3	11	Common
4	14	Normally Open (NO)
5	24	Normally Open (NO)
6	21	Common
7	22	Normally Closed (NC)
8	A2	Coil voltage

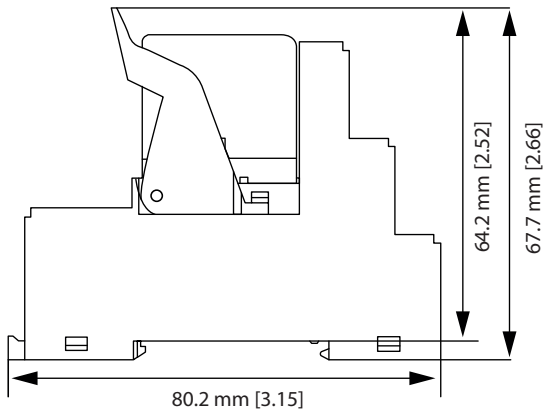
Accessories

Item code	Image	Dimensional Diagram
ZGBJ		 <p>Orange colour (code RAL2000)</p> 
ZPYSID		 <p>white colour</p> 
ZPYSPC		 <p>Grey Colour (Pantone 427C)</p> 
MODULE42		

Dimensions

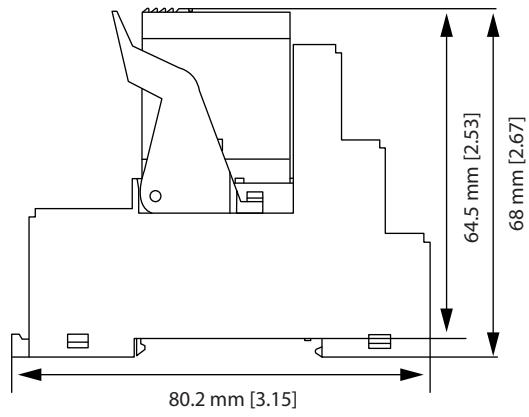
RPYS + ZPYS.S

Units: mm [inches]



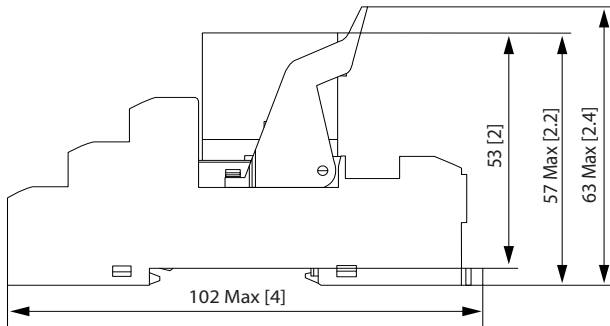
RPYS.LT + ZPYS.S

Units: mm [inches]



RPYS + ZPYS.G

Units: mm [inches]



RPYS.LT + ZPYS.G

Units: mm [inches]

