

ARGENTA

IP66 Metal Wall Mounting Cabinets

IP66 wall mounted cabinets Argenta series are constructed in cold rolled steel plate, ideal for various industrial applications, the design and manufacture of this product also offers a wide range of sizes and standard accessories making the product very flexible to suit many electrical installations. The Argenta range can also be customised to any specific dimensions or size, RAL colours, and various cable entries or cut outs.

Technical Data

- **Degree of protection:**
 - Single door cabinet: IP66 / NEMA 1, 12, 4.
 - Double door cabinet: IP55 / NEMA 1, 12.
- **Resistance to impact:**
 - Opaque door: IK10.
 - Transparent door: IK09.
- **Range of temperature under normal conditions:**
 - 25°C / +40°C.
- **Maximum operation voltage:** 1000 V AC.
- **Maximum temperature:** 80°C.
- **Maximum epoxy-polyester paint temperature:** 125°C.

Certifications



According to low tension directive 2006/95/CE Norms:
UNE-EN 62208 and UNE-EN 61439-1-3 (in the affected part)
Certificate UL508A
Bureau Veritas under norms EN62208:2003 y EN60529
(only for single door cabinets) marine applications.



Product Range

Standard

- Opaque and transparent door cabinets with mounting plate.
- Opaque door with ATEX compliance (see specific technical sheet).

Upon request

- Opaque and transparent door cabinets without mounting plate (add to the standard reference /SP).
- Special cabinets, dimensions, drillings, colours...

Materials

Cold-rolled mild steel plate.

Finishing

- Tighen epoxy polyester paint emboss coating RAL 7035, 80-120 μ .
- Resistance against corrosion under norm UNE-EN62208. Classification C4-M under norms ASIM B-117:97; ISO 9227:0 and ISO 12944-6-98.
- For higher resistance against corrosion, contact us.

Standard painting cycle

- **Degrease:** Removing residual oils by means of phosphate immersions.
- **Lighten:** First with tap water and second with twice demineralised water.
- **Passivization:** Mixture of HCL+NA CL and bath against rust getting in that sense the proper finish ready to be painted.
- **Dry:** with hot air (through 100° C tunnel).
- **Painted:** with tighen epoxy polyester RAL 7035 with thickness 80-120 μ .
Painting system A1.02 according to UNE-EN ISO 12944-5 norm.
- **Baking chamber:** adhesion by polymerisation 180° baking tunnel during 15-20 minutes.

Tailored solutions,
a specific design for every need

Supply

Supplied with individual packaging that contains; cabinet, mounting plate and accessories kit.

Plain mounting plate

- For cabinets under 700 mm height it is supplied separately bracket, inside the package.
- For cabinets over 800 mm height it is supplied mounted.

Accessories bag:

- 4 watertight caps (in case that the wall mounting brackets are not used).
- Earth kit consisting of: screw, washer and earth symbol label.
- Height adjustment kit for the mounting plate, nut and drainage caps.
- Key.
- Cable entry cover and its fixing screws.
- Assembly instructions.



Case

- Manufactured with cold-rolled steel plate from one piece with cross shape.
- Totally reversible cabinet.
- Steel thickness:
 - 1,2 mm from 250x200 to 600x500 mm cabinets.
 - 1,5 mm from 600x600 to 1400x1000 mm.
- Premould of Ø9 mm to mount on wall.
- Wall hanging bracket that leaves a gap of 11mm supplied as an accessory.
- M8x25 Bolt (4 units) placed in the cabinet bottom for mounting, fixing mounting plates or chassis.
- M6x10 Earth-bolt placed on the cabinet wall, to connect body and door through earthcable.
- 1,2 mm thickness cable entry cover with watertight gasket to guarantee the degree of protection IP.
- Double fold to prevent water from entering inside the cabinet.
- The bottom of the cabinet has a 9 mm drainage punch hole to prevent water from condensing on the interior.

Door

- Opaque and transparent option door with 110° reversible opening.
- Availability of double door for cabinets from 1000 mm width.
- Hidden and detachable hinge with fasteners of quick assembly.
- Opaque door steel thickness:
 - 1,2 mm from 250x200 to 600x400 mm cabinets.
 - 1,5 mm from 600x500 to 800x1000 mm cabinets.
 - 2 mm from 800x1200 to 1400x1000mm cabinets.
- Transparent door with 4mm thick tempered glass.
- Watertight gasket to guarantee the degree of protection.
- Welded reinforced profiles with holes at 25 mm distance for the assembly of accessories.
- Door centering included in cabinets over 600 mm height.



Lock

- Standard lock with 2 closing points of 5 mm plus 5 mm key.
- For 1000 mm height, the lock supplied is with 3 points rod.
- All other locks are available as an accessory.

Mounting Plate

- Plain mounting plate included in all cabinet references.
- Manufactured in 2 mm galvanized steel thickness.
- For cabinets >800 height, the mounting plate is folded for additional rigidity.

IP66 Single Door

TYPE	DIMENSIONS [AxBxC]	DIM. PLATE [AxB]	STEEL THICKNESS BODY DOOR	ENTRIES CABLES [DxE]	N° LOCKS	N° HINGES	PROFILES REINFORCED	T. DOOR HOLLOW [HxW]	WEIGHT KG	POWER DISSIPATION ACCORDING TO TEMPERATURE INCREASE OF °C PIW*				
										20	25	30	35	40
GN252015	250x200x150	220X150	1,2 1,2	80x150	1	2	1	105x83	3,50	19,75	24,68	29,62	34,55	39,49
GN252515	250x250x150	220X200	1,2 1,2	80x150	1	2	1	105x153	4,06	22,83	28,53	34,24	39,94	45,65
GN302015	300x200x150	270X150	1,2 1,2	80x150	1	2	1	189x83	3,91	22,77	28,46	34,16	39,85	45,54
GN302515	300x250x150	270X200	1,2 1,2	80x150	1	2	1	155x153	4,59	26,24	32,79	39,35	45,91	52,47
GN302520	300x250x200	270X200	1,2 1,2	80x150	1	2	1	155x153	5,53	31,13	38,91	46,70	54,48	62,26
GN303015	300x300x150	270X250	1,2 1,2	80x200	1	2	2	155x203	5,38	29,70	37,13	44,55	51,98	59,40
GN303020	300x300x200	270X250	1,2 1,2	140x230	1	2	2	155x203	6,11	34,98	43,73	52,47	61,22	69,96
GN304015	300x400x150	270X350	1,2 1,2	80x300	1	2	2	155x303	6,52	36,63	45,79	54,95	64,10	73,26
GN304020	300x400x200	270X350	1,2 1,2	140x300	1	2	2	155x303	7,35	42,68	53,35	64,02	74,69	85,36
GN403015	400x300x150	370X250	1,2 1,2	80x200	1	2	2	255x203	6,81	37,29	46,61	55,94	65,26	74,58
GN403020	400x300x200	370X250	1,2 1,2	140x230	1	2	2	255x203	7,35	43,56	54,45	65,34	76,23	87,12
GN404015	400x400x150	370X350	1,2 1,2	80x300	1	2	2	255x303	8,19	45,76	57,20	68,64	80,08	91,52
GN404020	400x400x200	370X350	1,2 1,2	140x300	1	2	2	255x303	9,60	52,80	66,00	79,20	92,40	105,60
GN404025	400x400x250	370X350	1,2 1,2	140x300	1	2	2	255x303	12,00	59,84	74,80	89,76	104,72	119,68
GN406020	400x600x200	370X550	1,2 1,2	140x500	1	2	2	255x503	12,89	71,28	89,10	106,92	124,74	142,56
GN406025	400x600x250	370X550	1,2 1,2	140x500	1	2	2	255x503	14,30	79,86	99,83	119,79	139,76	159,72
GN406030	400x600x300	370X550	1,2 1,2	140x500	1	2	2	255x503	15,36	88,44	110,55	132,66	154,77	176,88
GN503015	500x300x150	470X250	1,2 1,2	80x200	2	2	2	355x203	8,11	44,88	56,10	67,32	78,54	89,76
GN503020	500x300x200	470X250	1,2 1,2	140x230	2	2	2	355x203	8,96	52,14	65,18	78,21	91,25	104,28
GN503025	500x300x250	470X250	1,2 1,2	140x230	2	2	2	355x203	10,00	59,40	74,25	89,10	103,95	118,80
GN504015	500x400x150	470X350	1,2 1,2	80x300	2	2	2	355x303	10,76	54,89	68,61	82,34	96,06	109,78
GN504020	500x400x200	470X350	1,2 1,2	140x300	2	2	2	355x303	11,35	62,92	78,65	94,38	110,11	125,84
GN504025	500x400x250	470X350	1,2 1,2	140x300	2	2	2	355x303	12,46	70,95	88,69	106,43	124,16	141,90
GN504030	500x400x300	470X350	1,2 1,2	140x300	2	2	2	355x303	13,00	78,98	98,73	118,47	138,22	157,96
GN505015	500x500x150	470X450	1,2 1,2	80x300	2	2	2	355x403	12,33	64,90	81,13	97,35	113,58	129,80
GN505020	500x500x200	470X450	1,2 1,2	140x300	2	2	2	355x403	13,56	73,70	92,13	110,55	128,98	147,40
GN505025	500x500x250	470X450	1,2 1,2	140x400	2	2	2	355x403	14,81	82,50	103,13	123,75	144,38	165,00
GN505030	500x500x300	470X450	1,2 1,2	140x400	2	2	2	355x403	15,59	91,30	114,13	136,95	159,78	182,60
GN507020	500x700x200	470X650	1,2 1,2	140x500	2	2	2	355x603	21,51	97,02	121,28	145,53	169,79	194,04
GN604015	600x400x150	570X350	1,2 1,2	80x300	2	2	2	455x303	12,29	64,02	80,03	96,03	112,04	128,04
GN604020	600x400x200	570X350	1,2 1,2	140x300	2	2	2	455x303	13,68	73,04	91,30	109,56	127,82	146,08
GN604025	600x400x250	570X350	1,2 1,2	140x300	2	2	2	455x303	14,30	82,06	102,58	123,09	143,61	164,12
GN604030	600x400x300	570X350	1,2 1,2	140x300	2	2	2	455x303	15,36	91,08	113,85	136,62	159,39	182,16
GN605015	600x500x150	570X450	1,2 1,5	80x300	2	2	2	455x403	15,48	75,57	94,46	113,36	132,25	151,14
GN605020	600x500x200	570X450	1,2 1,5	140x400	2	2	2	455x403	15,98	85,36	106,70	128,04	149,38	170,72
GN605025	600x500x250	570X450	1,2 1,5	140x400	2	2	2	455x403	17,81	95,15	118,94	142,73	166,51	190,30
GN605030	600x500x300	570X450	1,2 1,5	140x400	2	2	2	455x403	19,35	104,94	131,18	157,41	183,65	209,88
GN606020	600x600x200	570X550	1,5 1,5	140x500	2	2	2	455x503	21,35	97,68	122,10	146,52	170,94	195,36
GN606025	600x600x250	570X550	1,5 1,5	140x500	2	2	2	455x503	23,20	108,24	135,30	162,36	189,42	216,48
GN606030	600x600x300	570X550	1,5 1,5	140x500	2	2	2	455x503	25,17	118,80	148,50	178,20	207,90	237,60
GN606040	600x600x400	570X550	1,5 1,5	140x500	2	2	2	455x503	30,09	139,92	174,90	209,88	244,86	279,84
GN608030	600x800x300	570X750	1,5 1,5	140x700	2	2	2	455x703	32,80	146,52	183,15	219,78	256,41	293,04
GN705015	700x500x150	670X450	1,5 1,5	80x300	2	2	2	555x403	19,37	86,24	107,80	129,36	150,92	172,48
GN705020	700x500x200	670X450	1,5 1,5	140x400	2	2	2	555x403	21,51	97,02	121,28	145,53	169,79	194,04
GN705025	700x500x250	670X450	1,5 1,5	140x400	2	2	2	555x403	22,44	107,80	134,75	161,70	188,65	215,60
GN804020	800x400x200	770X350	1,5 1,5	140x300	2	3	2	655x303	21,20	93,28	116,60	139,92	163,24	186,56
GN804025	800x400x250	770X350	1,5 1,5	140x300	2	3	2	655x303	22,40	104,28	130,35	156,42	182,49	208,56
GN804030	800x400x300	770X350	1,5 1,5	140x300	2	3	2	655x303	28,00	115,28	144,10	172,92	201,74	230,56
GN806020	800x600x200	770X550	1,5 1,5	140x500	2	3	2	655x503	27,90	124,08	155,10	186,12	217,14	248,16
GN806025	800x600x250	770X550	1,5 1,5	140x500	2	3	2	655x503	30,18	136,62	170,78	204,93	239,09	273,24

IP66 Single Door

TYPE	DIMENSIONS (AxBxC)	DIM. PLATE (AxB)	STEEL THICKNESS BODY DOOR	ENTRIES CABLES (DxE)	N° LOCKS	N° HINGES	PROFILES REINFORCED	T. DOOR HOLLOW (HxW)	WEIGHT KG	POWER DISSIPATION ACCORDING TO TEMPERATURE INCREASE OF °C PIWJ*				
										20	25	30	35	40
GN806030	800x600x300	770X550	1,5 1,5	140x500	2	3	2	655x503	32,80	149,16	186,45	223,74	261,03	298,32
GN806040	800x600x400	770X550	1,5 1,5	140x500	2	3	2	655x503	34,00	174,24	217,80	261,36	304,92	348,48
GN808020	800x800x200	770X750	1,5 1,5	140x700	2	3	2	655x703	37,18	154,88	193,60	232,32	271,04	309,76
GN808025	800x800x250	770X750	1,5 1,5	140x700	2	3	2	655x703	35,45	168,96	211,20	253,44	295,68	337,92
GN808030	800x800x300	770X750	1,5 1,5	140x700	2	3	2	655x703	39,66	183,04	228,80	274,56	320,32	366,08
GN808040	800x800x400	770X750	1,5 1,5	140x700	2	3	2	655x703	43,10	211,20	264,00	316,80	369,60	422,40
GN8010030	800x1000x300	770X950	1,5 1,5	140x900	2	3	2	655x903	47,10	216,92	271,15	325,38	379,61	433,84
GN1006025	1000x600x250	970X550	1,5 2	140x500	3P	3	2	824x503	39,51	165,00	206,25	247,50	288,75	330,00
GN1006030	1000x600x300	970X550	1,5 2	140x500	3P	3	2	824x503	44,76	179,52	224,40	269,28	314,16	359,04
GN1006040	1000x600x400	970X550	1,5 2	140x500	3P	3	2	824x503	50,00	208,56	260,70	312,84	364,98	417,12
GN1008025	1000x800x250	970X750	1,5 2	140x700	3P	3	2	824x703	48,95	203,50	254,38	305,25	356,13	407,00
GN1008030	1000x800x300	970X750	1,5 2	140x700	3P	3	2	824x703	51,35	219,56	274,45	329,34	384,23	439,12
GN1008040	1000x800x400	970X750	1,5 2	140x700	3P	3	2	824x703	60,60	251,68	314,60	377,52	440,44	503,36
GN10010030	1000x1000x300	970X950	1,5 2	140x900	3P	3	4	824x903	61,44	259,60	324,50	389,40	454,30	519,20
GN1206025	1200x600x250	1170X550	1,5 2	140x500	3P	3	2	1024x503	44,20	193,38	241,73	290,07	338,42	386,76
GN1206030	1200x600x300	1170X550	1,5 2	140x500	3P	3	2	1024x503	48,56	209,88	262,35	314,82	367,29	419,76
GN1206040	1200x600x400	1170X550	1,5 2	140x500	3P	3	2	1024x503	55,00	242,88	303,60	364,32	425,04	485,76
GN1208030	1200x800x300	1170X750	1,5 2	140x700	3P	3	2	1024x703	58,60	256,08	320,10	384,12	448,14	512,16
GN1208040	1200x800x400	1170X750	1,5 2	140x700	3P	3	2	1024x703	55,00	292,16	365,20	438,24	511,28	584,32
GN1209030	1200x900x300	1170X850	1,5 2	140x700	3P	3	2	1024x803	67,00	271,66	339,57	407,48	475,40	543,31
GN12010030	1200x1000x300	1170X910	1,5 2	140x900	3P	3	4	1024x903	76,00	302,28	377,85	453,42	528,99	604,56
GN12012025	1200x1200x250	1170X1150	1,5 2	2x(140x500)	3P	3	4	1024x1103	76,20	327,36	409,20	491,04	572,88	654,72

IP55 Double Door

TYPE	DIMENSIONS (AxBxC)	DIM. PLATE (AxB)	STEEL THICKNESS BODY DOOR	ENTRIES CABLES (DxE)	N° LOCKS	N° HINGES	PROFILES REINFORCED	T. DOOR HOLLOW (HxW)	WEIGHT KG	POWER DISSIPATION ACCORDING TO TEMPERATURE INCREASE OF °C PIWJ*				
										20	25	30	35	40
GN8010020/PD	800x1000x200	770X950	1,5 1,5	140x900	3P	3	4	-	42,00	185,68	232,10	278,52	324,94	371,36
GN8010030/PD	800x1000x300	770X950	1,5 1,5	140x900	3P	3	4	-	48,10	216,92	271,15	325,38	379,61	433,84
GN8010040/PD	800x1000x400	770X950	1,5 1,5	140x900	3P	3	4	-	63,00	248,16	310,20	372,24	434,28	496,32
GN8012030/PD	800x1200x300	770X1150	1,5 2	2x(140x500)	3P	3	4	-	58,00	250,80	313,50	376,20	438,90	501,60
GN8012040/PD	800x1200x400	770X1150	1,5 2	2x(140x500)	3P	3	4	-	64,00	285,12	356,40	427,68	498,96	570,24
GN10010030/PD	1000x1000x300	970X950	1,5 2	140x900	3P	3	4	-	59,90	259,60	324,50	389,40	454,30	519,20
GN10010040/PD	1000x1000x400	970X950	1,5 2	140x900	3P	3	4	-	79,90	294,80	368,50	442,20	515,90	589,60
GN10012030/PD	1000x1200x300	970X1150	1,5 2	2x(140x500)	3P	3	4	-	78,00	299,64	374,55	449,46	524,37	599,28
GN10012040/PD	1000x1200x400	1170X910	1,5 2	2x(140x500)	3P	3	4	-	94,00	337,92	422,40	506,88	591,36	675,84
GN12010030/PD	1200x1000x300	1170X910	1,5 2	140x900	3P	3	4	-	72,20	302,28	377,85	453,42	528,99	604,56
GN12010040/PD	1200x1000x400	1170X910	1,5 2	140x900	3P	3	4	-	96,30	341,44	426,80	512,16	597,52	682,88
GN12012025/PD	1200x1200x250	1170X1150	1,5 2	2x(140x500)	3P	3	4	-	79,00	327,36	409,20	491,04	572,88	654,72
GN12012030/PD	1200x1200x300	1170X1150	1,5 2	2x(140x500)	3P	3	4	-	91,00	348,48	435,60	522,72	609,84	696,96
GN12012040/PD	1200x1200x400	1170X1150	1,5 2	2x(140x500)	3P	3	4	-	121,00	390,72	488,40	586,08	683,76	781,44
GN14010030/PD	1400x1000x300	1370X950	1,5 2	2x(140x500)	3P	3	4	-	80,60	344,96	431,20	517,44	603,68	689,92
GN14010040/PD	1400x1000x400	1370X950	1,5 2	2x(140x500)	3P	3	4	-	107,00	388,08	485,10	582,12	679,14	776,16

3P: 3 points locking system.

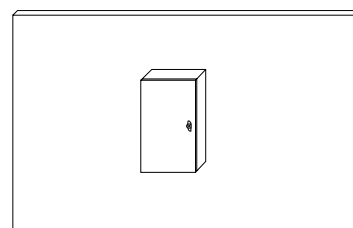
Flat mounting plate included in all cabinet references.

For references with transparent door GNT + dimensions.

4 height adjustment kit for the mounting plate + 4 anti-rotation nuts included in all references (28228).

For references without mounting plate, add to the reference /SP, and check availability.

For customized enclosures and without mounting plate, please check availability of the UL certificate.



* Calculation obtained according to Norm UNE 20890.

Maximum admissible load

	TOTAL LOAD	DOOR	PLATE
From 250x200x150 to 300x300x200 cabinets	150 Kg	25 Kg	125 Kg
From 300x400x150 to 400x300x200 cabinets	175 Kg	25 Kg	150 Kg
From 400x400x150 to 600x400x300 cabinets	225 Kg	25 Kg	200 Kg
From 600x500x150 to 700x500x250 cabinets	275 Kg	25 Kg	250 Kg
From 800x400x200 to 800x800x400 cabinets	325 Kg	25 Kg	300 Kg
From 800x1000x300 to 1400x1000x300 cabinets	390 Kg	40 Kg	350 Kg



ARGENTA
TRANSPARENT DOOR



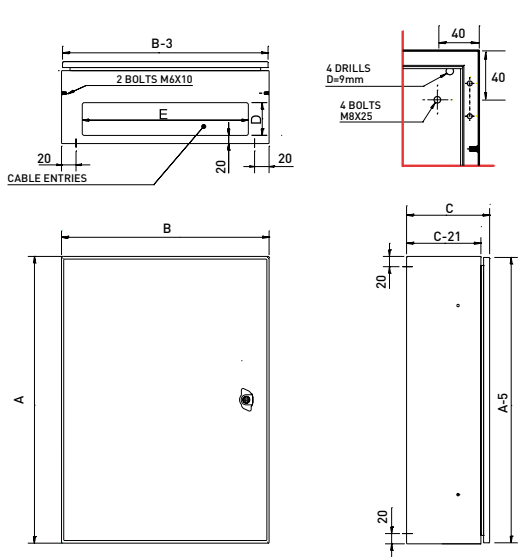
ARGENTA
OPAQUE DOOR



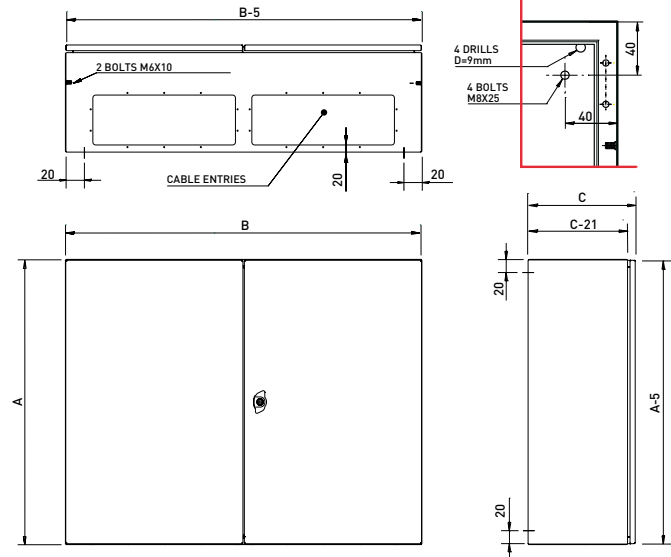
ARGENTA
DOUBLE DOOR

Dimensions

Single door



Double door



Plain plate

